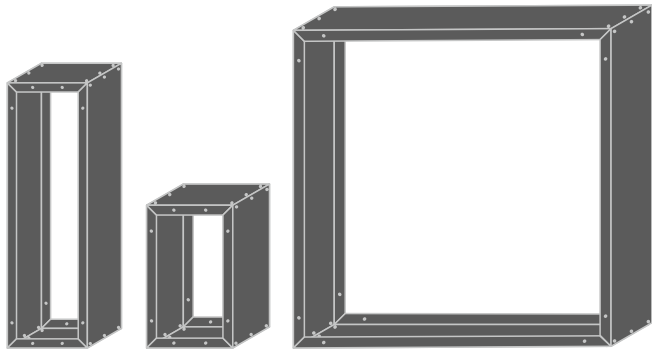


# FIREWOOD

MONTAGEANLEITUNG  
ASSEMBLY INSTRUCTION  
NOTICE DE MONTAGE



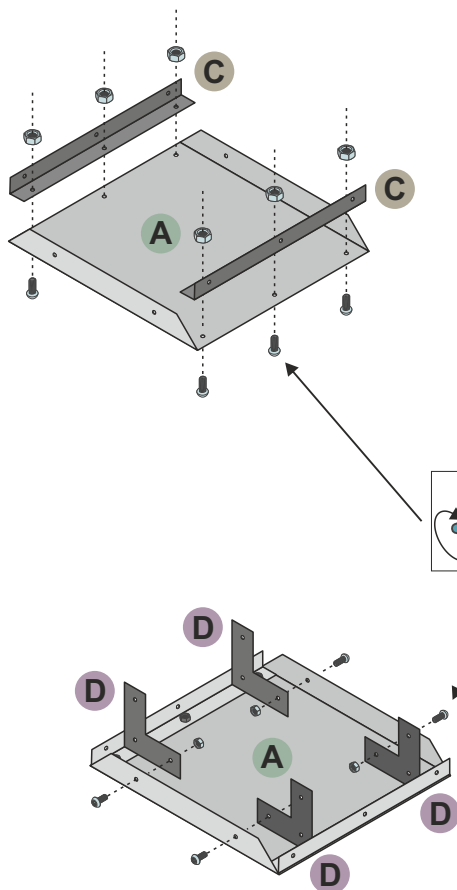
SW 10  
 SW 4  
 1/2 h



|                 |                             |                     |
|-----------------|-----------------------------|---------------------|
| <b>A</b><br>2 x | <b>B</b><br>2 x             | <b>C</b><br>4 x     |
| <b>D</b><br>8 x | <b>E</b> M6 x 12 mm<br>40 x | <b>F</b> M6<br>40 x |
| <b>G</b><br>4 x | <b>H</b> M6 x 30 mm<br>4 x  | <b>I</b> M6<br>4 x  |

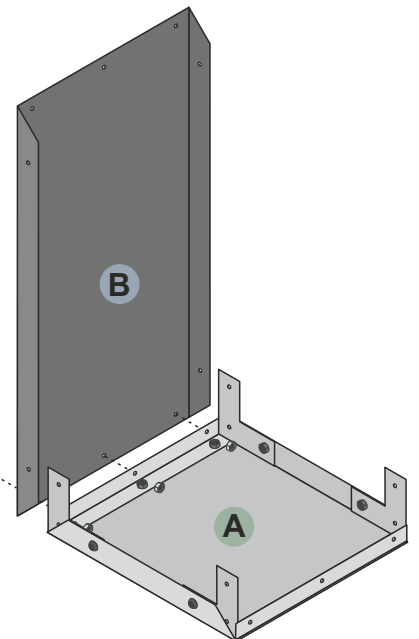
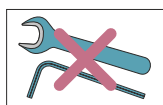
1

**A**  
**C**  
**D**  
**E**  
**F**



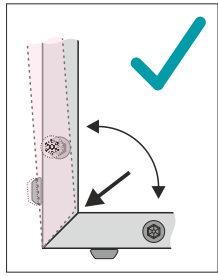
2

**B**  
**E**  
**F**

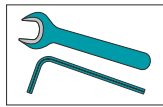
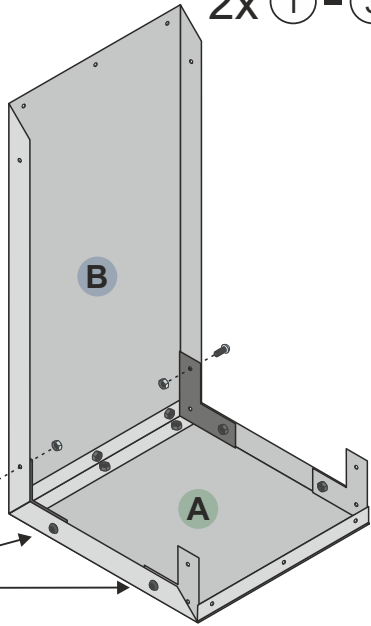




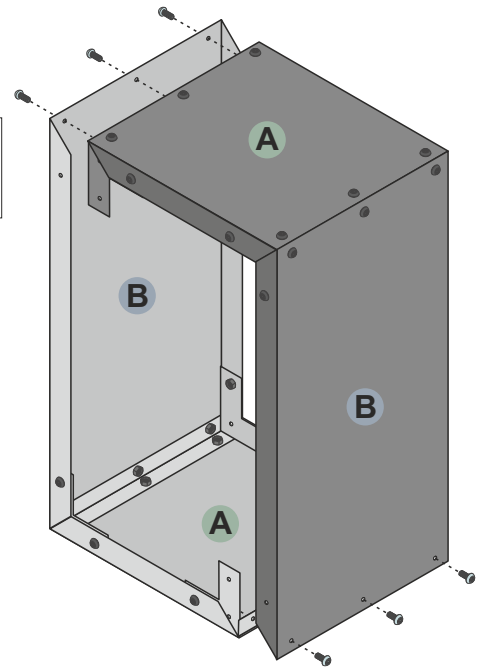
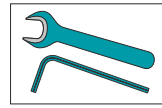
3



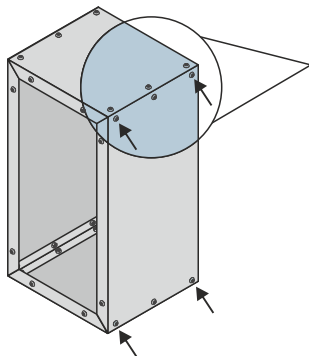
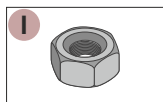
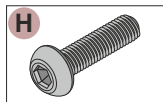
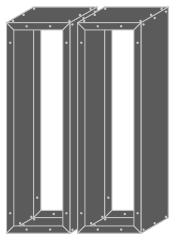
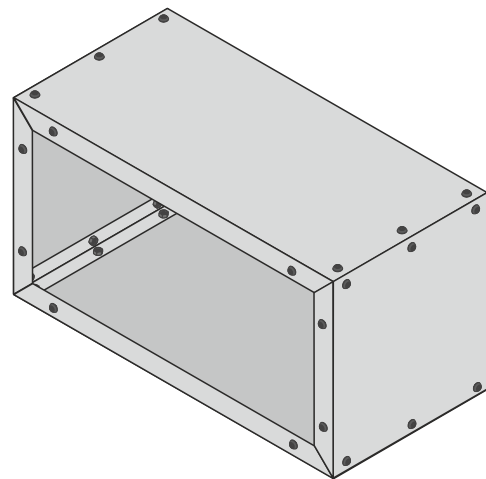
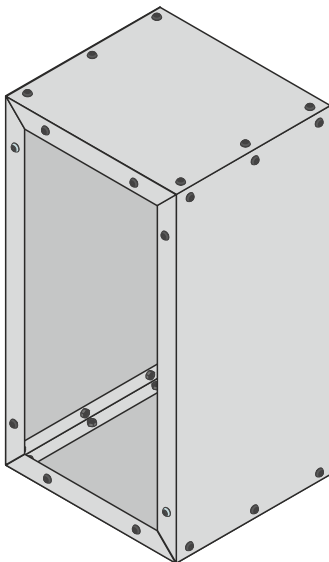
2x ①-③



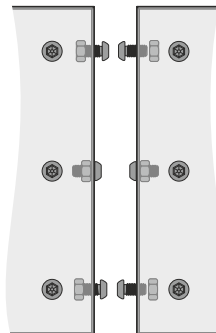
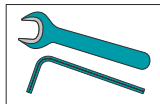
4



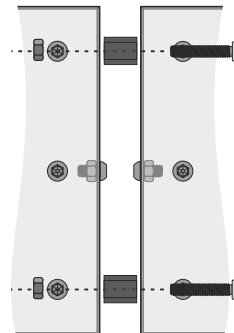
5



1



2



3

