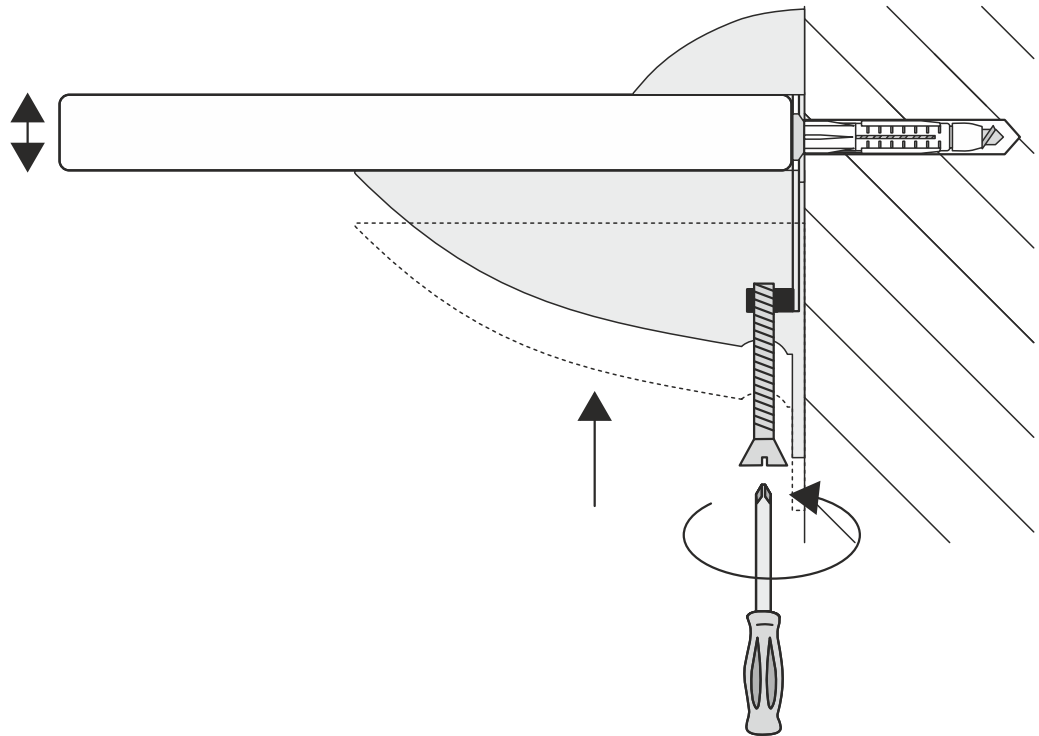


DIN EN
16337

6-25 mm
0.24-1 in



PZ 2 $\varnothing 5.5 \times 70$ mm
#12x2.8 in

$\varnothing 10 \times 60$ mm
#12-14x2.4 in

$\varnothing 10$ mm
25/64 in

